

# Conductivity/Resistivity Sensors with Sanitary Flange Mounting



**All 316 stainless steel construction**

**Available with automatic temperature compensation**

**Cell constant values of 0.01, 0.1 and 1.0**

**1"-1.5" and 2" Tri clamp flanges available**

**Sensors are steam sterilizable**

Sensorex offers durable 316 stainless steel body conductivity and resistivity sensors with Tri clamp flanges for sanitary installation. The sensor is designed to withstand CIP and steam sterilization processes.

Two models are available for 1"-1.5" Tri clamps or 2" Tri clamp flanges. Cell constants available are 0.01, 0.1 and 1.0. Optional temperature compensators are available to mate with specific makes and models of instrumentation. Cable is ten feet long and supplied with tinned wire terminations. Longer cable lengths are available at an additional cost. Please contact Sensorex with your requirements.

## Specifications

<b>Cell Constants</b>	0.01, 0.1, 1.0
<b>Wetted Materials</b>	316 stainless steel, Teflon, EPDM
<b>Max Temperature</b>	121 Degrees C
<b>Max Pressure</b>	100 psig
<b>Temp Comp</b>	(User specified temperature elements) Pt1000, Pt100
<b>Cable Length</b>	10ft standard, tinned wire terminations (Longer length available at additional cost, contact Sensorex)
<b>Process Connection</b>	Sanitary flange
<b>Surface Finish</b>	min RA20

**Parts covered by this product data sheet include:**  
CS615, CS615TC, CS620, CS620TC

# Conductivity/Resistivity Sensors With Sanitary Flange Mounting

Designed for sanitary flange installations into 1-1.5" or 2" Tri clamp flanges. All 316SS construction with Teflon insulators.

## Ordering Information

Standard cable length is 10ft with tinned lead terminations. If longer cable length is required, specify cable length (if not 10ft). Also specify temperature compensation value and cell constant (K=0.01 or 0.1 or 1.0) and when ordering.

### Sensors

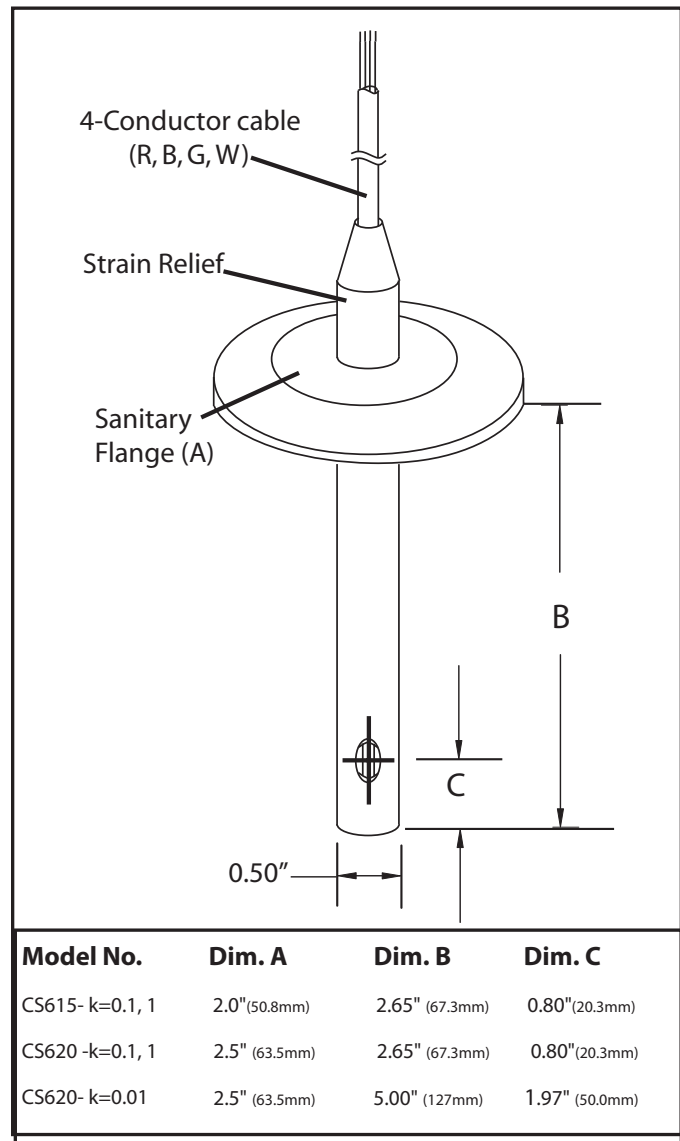
CS615	1" or 1.5" Conductivity sensor
CS615TC	1" or 1.5" Conductivity sensor with ATC
CS620	2" Conductivity sensor
CS620TC	2" Conductivity sensor with ATC

TC codes: PT1 = PT100 RTD, P1K = PT1000 RTD

### Calibration Solutions-Quarts

TDS15	15ppm/23.8uS
TDS30	30ppm/46.7uS
TDS1000	1000ppm/1417uS
TDS1500	1500ppm/2060uS
TDS3000	3000ppm/3900uS
TDS5687	5687ppm/7000uS
TDS9523	9523ppm/10000uS

Many other value solutions are available. Contact Sensorex for a complete listing.



11751 Markon Dr.  
Garden Grove, CA 92841 USA  
Tel: 714-895-4344  
Fax: 714-894-4839  
E-mail: info@sensorex.com  
www.sensorex.com